

# **Pyroguard Balustrades**

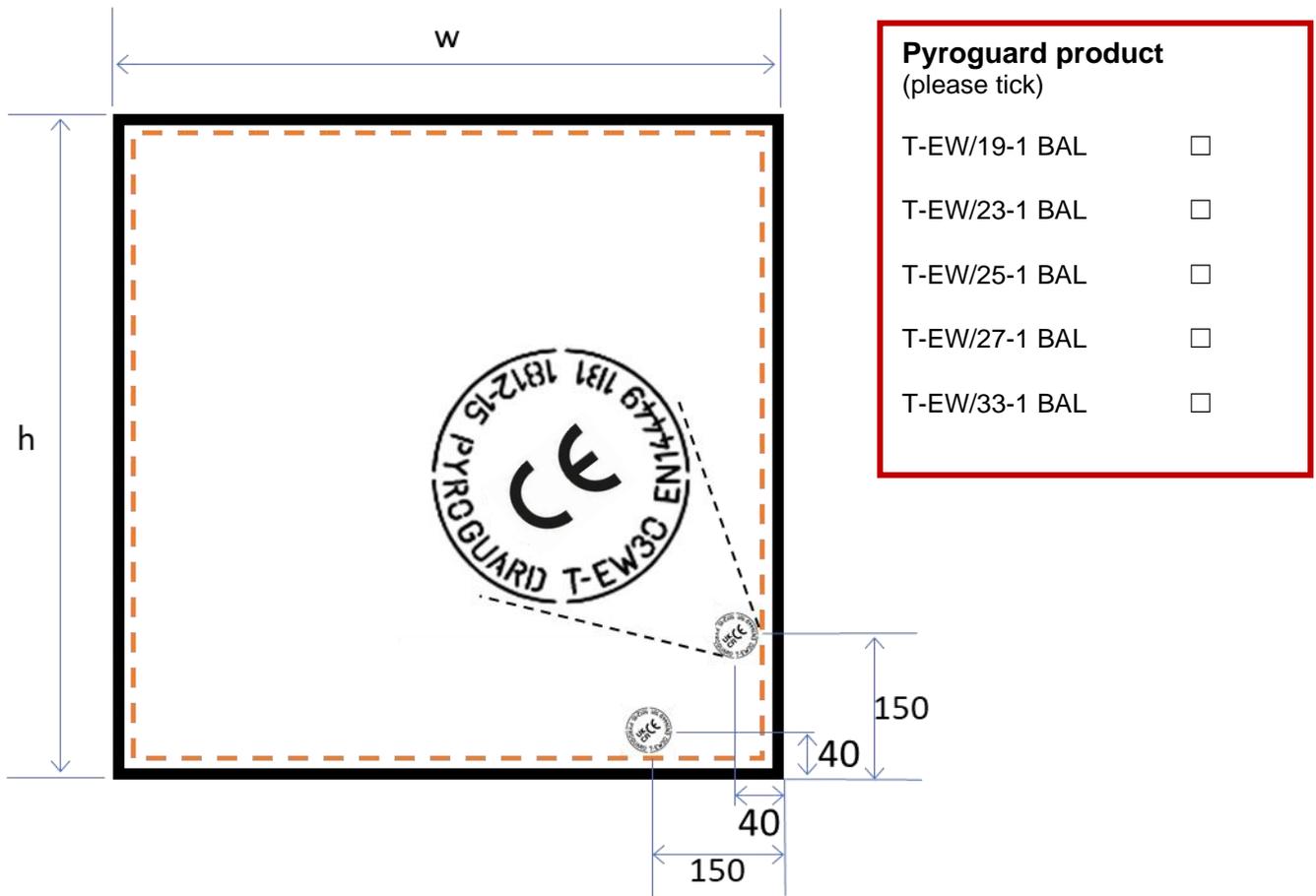
## Technical guidance document

---

# Contents

Pyroguard Balustrades glass ordering.....	3
Additional order items.....	5
What is Pyroguard T? .....	6
Pyroguard Balustrades do's and don'ts.....	7
Important information .....	9
Order form.....	10

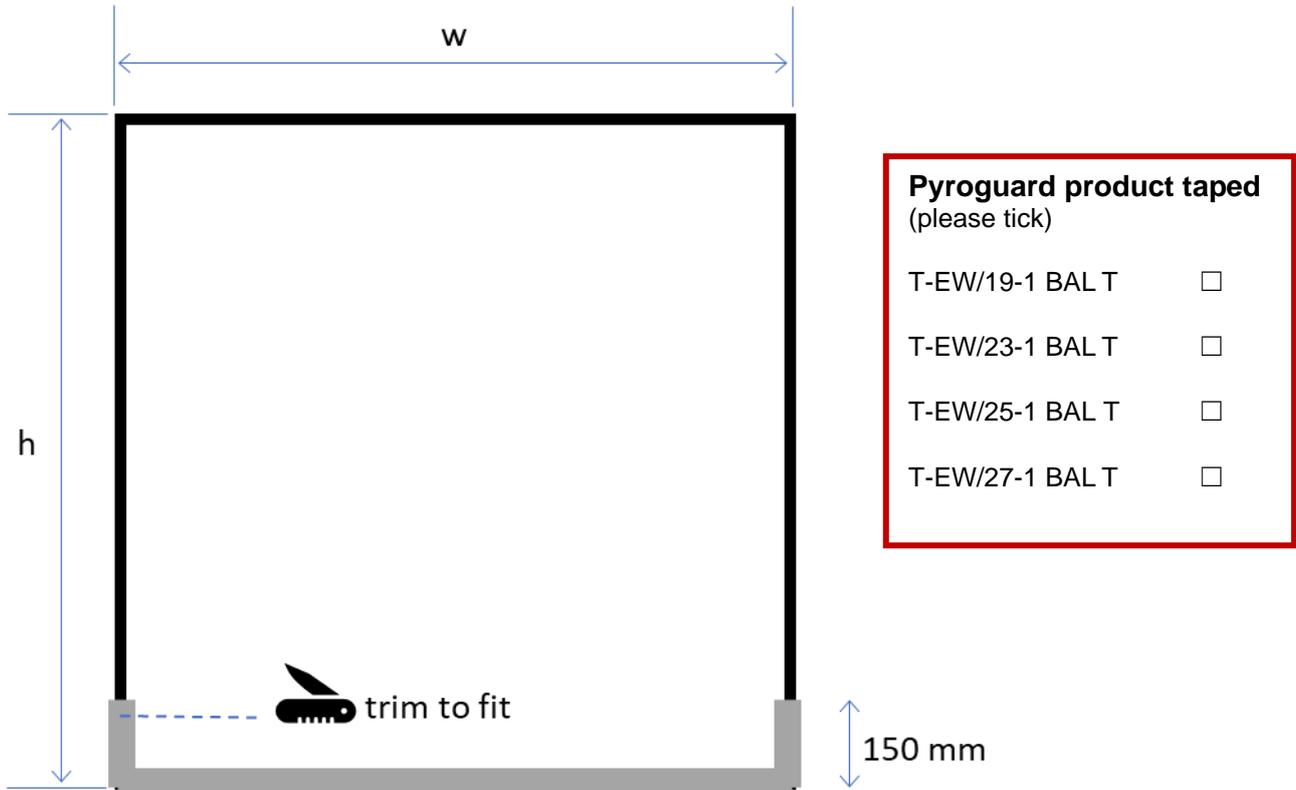
# Pyroguard Balustrades glass ordering



1. 13 mm border (see above ) is black and must be shielded from direct UV with an appropriate U channel.
2. Inclusions, bubbles, and defects within the 18 mm border (see above ) are not considered faults.
3. The appearance of the laminated glass is based on the criteria detailed in BS EN ISO 12543-6:2011 "Glass in Building. Laminated Glass and Laminated Safety Glass. Evaluation of Conformity/Product Standard" and in BS EN 14449:2005 "Glass in Building. Laminated Glass and Laminated Safety Glass. Evaluation of Conformity / Product Standard".

4. (a) Any side of the pane likely to be in contact with a sealant should be taped with an approved tape before installation—surcharges apply. Alternatively, please add number of rolls of tape to your order overleaf.

Taping (see below ) will be done as standard on the base of the glass and on uprights to 150 mm –trim the tape to match the depth of trench in use.



(b) Alternatively, compatible sealant can be supplied by Pyroguard or ordered directly from the manufacturer (see overleaf).

5. Provide drawing detailing stamp location x, y (mm). Standard Pyroguard location is x, y 40 x 40 (mm). Standard balustrade is location is x, y 40 x 150 (mm).

Stamp location (x,y)	
40 x 150	<input checked="" type="checkbox"/>
40 x 40	<input type="checkbox"/>
Other ( _____, _____ )	

6. Stamp dimensions approx. 35 (w) x 40 (h) (mm).
7. Provide pane dimensions in mm in format w x h (mm).

# Additional order items

<b>Sealant: Only the bonding sealant listed here are proven compatible with the glass edge sealant. Installers must independently satisfy themselves of the compatibility with the surrounding of the install.</b>			
Name	Type of material	Manufacturer	Quantity required (box)
GD 823 N	Silicone	KÖMMERLING	
GD 826 N	Silicone	KÖMMERLING	
Ködisil N	Silicone	KÖMMERLING	
Körapur 125	Polyurethane	KÖMMERLING	
Ködiglaze P	Polyurethane	KÖMMERLING	
Ottoseal S7, S9, S10	Silicone	Otto Chemie	
Ottoseal S110, S120	Silicone	Otto Chemie	
EGO Silicon 333, 360, 460	Silicone	EGO	
Sika WT 470, WT 480	Silicone	SIKA	
Sikasil WS 605 S	Silicone	SIKA	
Sikaseal SG20, SG500	Silikon	SIKA	
DC W 15 LM	Silicone	Dow Corning	
DC 794 N	Silicone	Dow Corning	
DC 3540	Silicone	Dow Corning	
DC 791, 795, 790, 895	Silicone	Dow Corning	
DC 756 SMS	Silicone	Dow Corning	
DC 790, 797	Silicone	Dow Corning	
DC 995	Silicone	Dow Corning	
MultiSil	Silicone	Remmers	
Cosmopur K1 PUR Montageklebstoff	Polyurethane	Weiss Chemie	
Neutral 120	Silicone	Ramsauer	
Alkoxy 130	Silicone	Ramsauer	
Multiflex 131	Silicone	Ramsauer	
Fassade 350	Silicone	Ramsauer	
2K Kleber 670	Silicone	Ramsauer	
Perennator FA 101, transparent	Silicone	Tremco Illbruck	
Tremco FA 151, transparent	Silicone	Tremco Illbruck	
Soudaseal 240 FC	Silicone	Soudal	
Modesil N°11	Silicone	LAKMA	
2H Sil Premium	Silicone	Heller	
<b>Tape: Ensure aluminium tape selected has sufficient width to protect glass edges.</b> <i>Tape Specification: 230 µm thick, 25 N/25 mm peel adhesion (20 °C) on steel, 20 N / 625 mm² shear adhesion (20 °C) on steel.</i>			Quantity required (box)
Vitominium PET 230 S002	50m x 38 mm, 8 rolls per box.		
Vitominium PET 230 S002	50m x 45 mm, 7 rolls per box.		

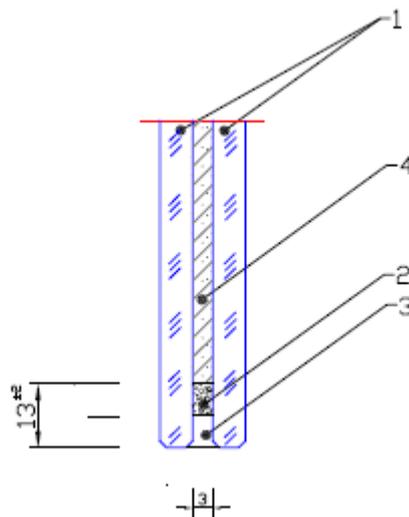
# What is Pyroguard T?

Pyroguard T is a fire safety glass, provided for balustrade application where the reaction to fire properties are required to be of the highest standard. It is classified A2 s1, d0 according to BS EN 13501-1-2018.

The product consists of toughened glass, conforming to EN12150, laminated with a fireproof interlayer made from a nanocomposite silica.



The product thickness can be modified depending on the loading protection required.



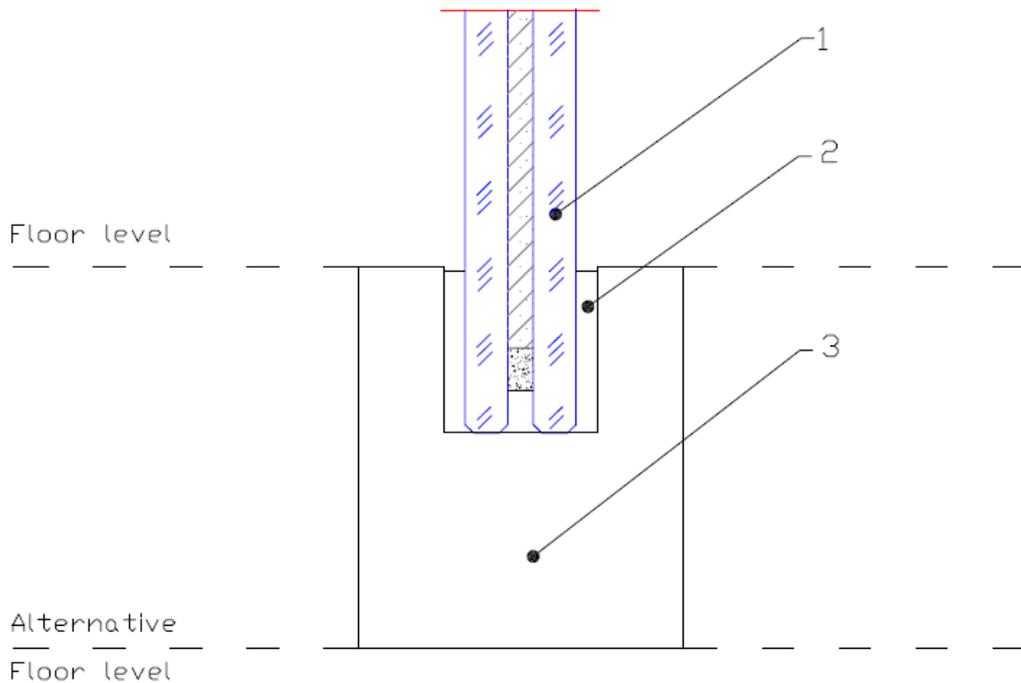
- [1] Tempered glass
- [2] Spacer
- [3] Sealant
- [4] Nanocomposite silica interlayer

The test results for loading are specific to the system that it is glazed in.

# Pyroguard Balustrades do's and don'ts

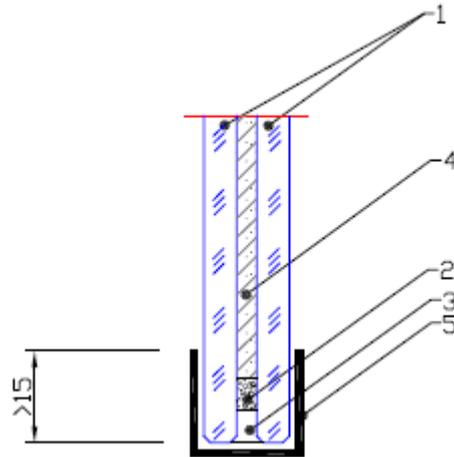
## DO THIS!

- Install in a load tested system. Suitable for installation freestanding in a U channel 'shoe' (as below) or in Juliet style.



- [1] Laminate
- [2] Packer
- [3] U-channel 'shoe'

- Conceal the edge sealant in a stiff steel or aluminium U-shaped channel on all exposed edges.
- The edges must be covered (fully-framed), glass edges taped where in contact with non-compatible sealants (i.e. anything but the specified sealant), or use of an approved sealant.
- The shoe must be drained to avoid the glass sitting in standing water.



- [1] Tempered glass
- [2] Spacer
- [3] Sealant
- [4] Nanocomposite silica interlayer
- [5] Edge concealing U-channel

- Glaze the Pyroguard glass with the stamp installed at the bottom edge as the sticker indicates.



- Apply Vitominium PET tape to the edges if it is unavoidable for the Pyroguard T glass to be in contact with a non-approved sealant

### DON'T DO THIS!

- Don't bond in the glass with a non-approved sealant
- Don't install with edge sealant exposed to direct sunlight
- Don't grout seal
- Don't install into an undrained channel

# Important information

- Failure to follow the above guidance will render the warranty void
- The optical properties of fire-resistant laminated glass, unlike in standard laminated glass, are dependent on the type and number of constituents (glass, interlayers, laminate PVB, etc.). These constituents may have detrimental effect on the optical qualities of the laminate. The primary function of fire-resistant laminated glass is to provide protection from fire and to allow light through, and therefore any reduction in optical quality must be accepted as a consequential effect.

# Order form

Project	Customer Address	PO

Date	Shipping Address	Notes

Quantity	w	h

Pyroguard Product (please tick)	Pyroguard Product Taped (please tick)	Stamp location (please tick) (x,y)
T-EW/19-1 BAL <input type="checkbox"/>	T-EW/19-1 BAL T <input type="checkbox"/>	40x150 <input type="checkbox"/>
T-EW/23-1 BAL <input type="checkbox"/>	T-EW/23-1 BAL T <input type="checkbox"/>	40x40 <input type="checkbox"/>
T-EW/25-1 BAL <input type="checkbox"/>	T-EW/25-1 BAL T <input type="checkbox"/>	
T-EW/27-1 BAL <input type="checkbox"/>	T-EW/27-1 BAL T <input type="checkbox"/>	Other ( _____, _____ )

Sealant: Only the bonding sealant listed here is compatible with the glass edge sealant.		Quantity required (box)
Bonding sealant.	Bonding sealant.	
Powerflow combi	Gun for sachet packs.	
Nozzles cox gun	Nozzles for cox gun. 10 per pack.	

Tape: Ensure aluminium tape selected has sufficient width to protect glass edges. <i>Tape Specification: 230 µm thick, 25 N/25 mm peel adhesion (20 °C) on steel, 20 N / 625 mm² shear adhesion (20 °C) on steel.</i>		Quantity required (box)
Vitominium PET 230 S002	50m x 38mm, 8 rolls per box.	
Vitominium PET 230 S002	50m x 45mm, 7 rolls per box.	



TECHNICAL FIRE SAFETY GROUP

### **Pyroguard UK Ltd**

Headquarters - International House  
Millfield Lane - Haydock - St. Helens  
Merseyside - WA11 9GA - United Kingdom

**T:** +44 (0) 1942 710 720

**E:** [info@pyroguard.eu](mailto:info@pyroguard.eu)

[www.pyroguard.eu](http://www.pyroguard.eu)

**Pyroguard France SARL** - Parc d'activités communautaire n°1

145 rue des Roseaux - 57455 Seingbouse - France

**T:** +33 (0)3 87 00 28 15 **F:** +33 (0)3 87 00 28 11 **E:** [info.france@pyroguard.eu](mailto:info.france@pyroguard.eu)

**Pyroguard Netherlands B.V.** - ESP 260 C - 5633

AC Eindhoven - The Netherlands

**T:** +31 (0) 40 2888 525 **E:** [info.nl@pyroguard.eu](mailto:info.nl@pyroguard.eu)

 [twitter.com/pyroguard](https://twitter.com/pyroguard)

 [linkedin.com/company/pyroguard](https://linkedin.com/company/pyroguard)

 [facebook.com/pyroguarduk](https://facebook.com/pyroguarduk)

 [instagram.com/pyroguard](https://instagram.com/pyroguard)

 [Pyroguard](https://www.youtube.com/Pyroguard)